

Flexy Compact Bain-marie, one well (3GN) H=900mm, overshelf with LED lights

ITEM # _____

MODEL # _____

NAME # _____

SIS # _____

AIA # _____


322076 (F01H3AF01W)

Bain-marie on cupboard, one well (3 GN container capacity) with overshelf with LED lights and one stainless steel tubular tray slider on customer side, H=900mm

Short Form Specification

Item No.

Compact design, ideal for space saving environments. Stainless steel tubular tray slider on customer side. Unit mounted on 150 mm high feet. Soft closing doors on operator side. Underneath ambient cupboard with doors. L type AISI 304 overshelf equipped with LED lights designed for extra increased visibility on the surface for charming food display. Sleek, minimalist glass structure, food and dust does not get trapped and easy to clean. Flat glass to be used as a service shelf for operator type of service, fully closed glass on customer side. Sturdy body construction with laminated panelings on 4 sides. Designed to serve the food in gastronorm containers with a maximum height of 200mm. Electronic overheating protection. Digital control with temperature display with precise adjustment (0,1°C). Fully compliant HACCP digital controls include visible alarms. Designed to work with both hot and cold inlet water. Etched foil heating elements to maximize heat transmission for reduced warm-up times. Well in 304 AISI stainless steel with rounded corners to facilitate cleaning operations. The well is also equipped with a drain hole. Well bottom is inclined to guarantee full well drainage. 19mm thick glass wool isolated with galvanize sheet guarantees excellent well insulation to reduce energy dispersion. Heating elements connected to the well bottom include safety thermostat. Food introduced at the correct temperature maintains its core temperature according to Afnor Standards. 900mm worktop height.

Main Features

- Electronic overheating protection.
- Designed to serve the food in gastronorm containers.
- Suitable for GN 1/1 containers with a maximum height of 200 mm.
- Precise temperature control and setting at 0,1°C .
- As standard the product comes with digitally controlled thermostat which is in line of HACCP norms and provides visual alarm as a warning of the increasing or decreasing temperatures.
- Designed to work with both hot and cold inlet water.
- It is possible to transform one of the GNs to soup dispenser with the available accessory.
- CB and CE certified by a third party notified body.
- Tray slider in tubular stainless steel is installed on the customer side and it can also be folded down to facilitate passage of the units through doorways.
- Ideal for servery lines with an operator.
- Unit mounted on 150 mm high feet.
- Soft closing doors on operator side.
- Underneath ambient cupboard with doors ideal for extra storage.
- Available options with online configurator: colors, tray sliders, overshelves, feet/wheels with desired diameter, height 750mm for kids.
- Stylish L type overshelf designed for extra increased visibility on the surface for charming food display.
- Overshelf equipped with LED lights.
- Optional plinth can be installed to cover the feet or the wheels.
- Perfect compact design makes it ideal for space saving environments.
- Food introduced at the correct temperature maintains its core temperature according to Afnor Standards.
- Available dimensions: 2, 3, 4 GN.
- Automatic refill is available as an option.
- Thanks to the sleek, minimalist glass structure, food and dust does not get trapped and the cleaning is made easier.

Construction

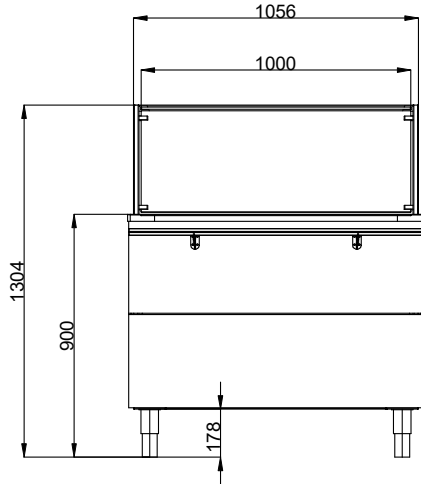
- Heating elements connected to the well bottom include safety thermostat.
- Well bottom is inclined to facilitate water drainage.
- IPX4 water protection.
- Well in 304 AISI stainless steel with rounded corners to facilitate cleaning operations. The well is also equipped with a drain hole.
- Electronic control with temperature display.
- Overshelf in complete AISI 304.
- Top in AISI 304.
- Sturdy construction with laminated panelings on 4 sides.

APPROVAL: _____

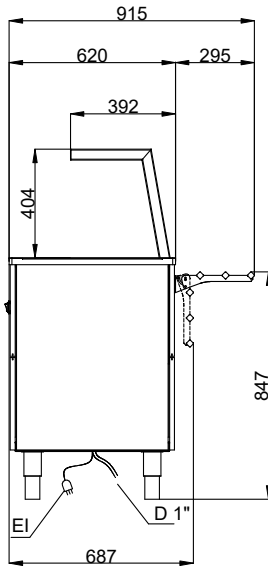
Sustainability


- 19mm thick rock wool isolated with galvanize sheet guarantees excellent well insulation to reduce energy dispersion.
- Etched foil heating elements to maximize heat transmission for reduced warm-up times.

Front

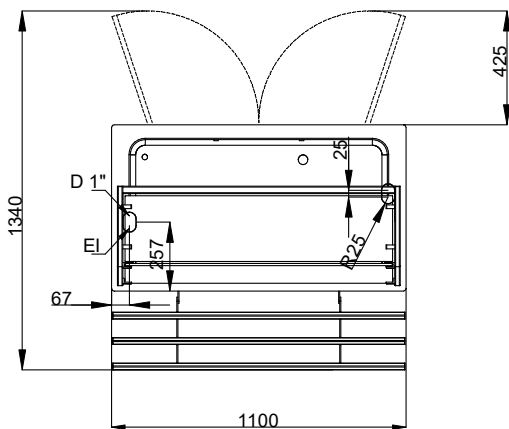


Side



D = Drain
 EI = Electrical inlet (power)

Top



Electric

Supply voltage:

322076 (F01H3AF01W)

220-240 V/1N ph/50/60 Hz

Electrical power max.:

2.04 kW

Water:

Drain line size:

3/4"

Key Information:

External dimensions, Width: 1100 mm

External dimensions, Depth: 915 mm

External dimensions, Height: 1304 mm

Net weight: 110 kg

Shipping height: 1330 mm

Shipping width: 730 mm

Shipping depth: 1140 mm

Shipping volume: 1.11 m³

Set temperature: +85 / +95 °C

Sustainability

Noise level:

45 dBA

Flexy Compact
Bain-marie, one well (3GN) H=900mm, overshelf with LED lights

The company reserves the right to make modifications to the products
without prior notice. All information correct at time of printing.